

**50**  
1968-2018  
YEARS/AÑOS

**CATÁLOGO**  
**basorfix**  
2023



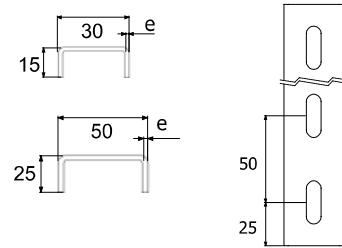
**BE Basor**  
CABLE TRAY SPECIALIST

**ELEMENTOS**  
*de instalación*  
y **PERNERÍA**

## RU



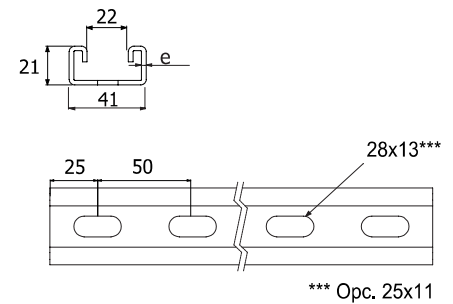
L = 3 m (10 ft)	e		Ovalo mm	GS	GC
	mm	G		REF	REF
RU 30X15X1,5	1,5	16	25x9	500081	500085
RU 30X15X2	2,0	14	25x9	500082	500086
RU 50X25X1,5	1,5	16	25x9	500083	500087
RU 50X25X2	2,0	14	25x9	500084	500088



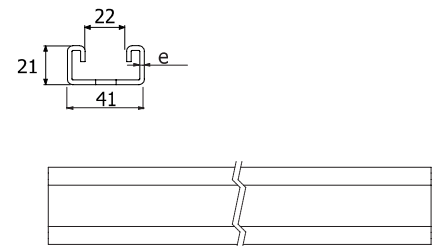
## P41 41X21



P41 PERFORADO 1-5/8" x 13/16"	e		L = 2,4 m (8 ft)		L = 3 m (10 ft)	
	mm	G	GS REF	GC REF	GS REF	GC REF
P41 41X21X1	1,0	20	500141	--	500143	--
P41 41X21X1,2	1,2	18	500139	500151	500146	500145
P41 41X21X1,5	1,5	16	500127	500131	500129	500133
P41 41X21X2	2,0	14	500128	500132	500130	500134
P41 41X21X2,5	2,5	12	500147	500149	500156	500150



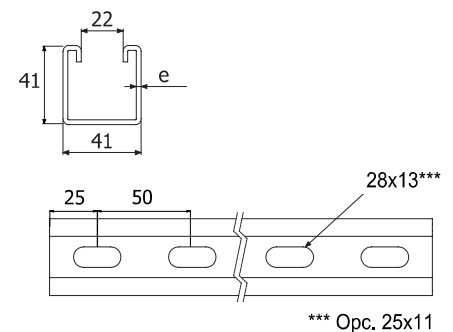
P41 CIEGO 1-5/8" x 13/16"	e		L = 2,4 m (8 ft)		L = 3 m (10 ft)	
	mm	G	GS REF	GC REF	GS REF	GC REF
P41-C 41X21X1	1,0	20	500299	--	500308	--
P41-C 41X21X1,2	1,2	18	500300	500304	500309	500313
P41-C 41X21X1,5	1,5	16	500301	500305	500310	500314
P41-C 41X21X2	2,0	14	500302	500306	500311	500315
P41-C 41X21X2,5	2,5	12	500303	500307	500312	500316



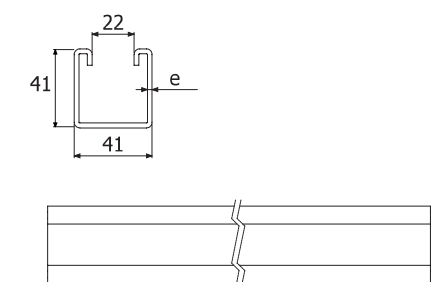
## P41 41X41



P41 PERFORADO 1-5/8" x 1-5/8"	e		L = 2,4 m (8 ft)		L = 3 m (10 ft)	
	mm	G	GS REF	GC REF	GS REF	GC REF
P41 41X41X1	1,0	20	500140	--	500144	--
P41 41X41X1,2	1,2	18	500135	500137	500136	500138
P41 41X41X1,5	1,5	16	500095	500099	500097	500101
P41 41X41X2	2,0	14	500096	500100	500098	500102
P41 41X41X2,5	2,5	12	500152	500154	500153	500155



P41 CIEGO 1-5/8" x 1-5/8"	e		L = 2,4 m (8 ft)		L = 3 m (10 ft)	
	mm	G	GS REF	GC REF	GS REF	GC REF
P41-C 41X41X1	1,0	20	500317	--	500326	--
P41-C 41X41X1,2	1,2	18	500318	500322	500327	500331
P41-C 41X41X1,5	1,5	16	500319	500323	500328	500332
P41-C 41X41X2	2,0	14	500320	500324	500329	500333
P41-C 41X41X2,5	2,5	12	500321	500325	500330	500334

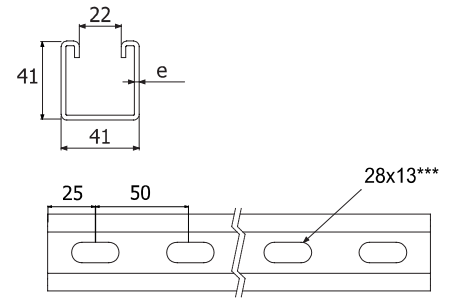


\* Las equivalencias mm-G son sólo orientativas y no representan un valor exacto.

## P41-3S 41X41



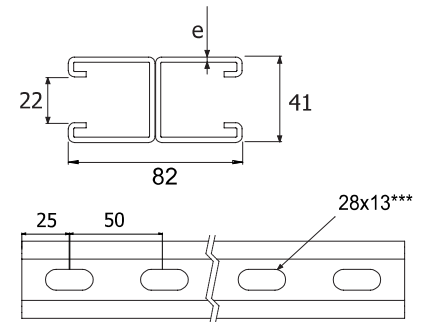
1-5/8" x 1-5/8"	e		L = 2,4 m (8 ft)		L = 3 m (10 ft)	
			GS	GC	GS	GC
	mm	G	REF	REF	REF	REF
P41-3S 41X41X1,5	1,5	16	500157	500160	500163	500166
P41-3S 41X41X2	2,0	14	500158	500161	500164	500167
P41-3S 41X41X2,5	2,5	12	500159	500162	500165	500168



## P41-D 41X82



	e		L = 2,4 m (8 ft)		L = 3 m (10 ft)	
			GC	GC	GC	GC
	mm	G	REF	REF	REF	REF
P41-D 41X82X2 D28X13	2,0	14	500240	500242	500242	500242
P41-D 41X82X2,5 D28X13	2,5	12	500241	500243	500243	500243
PERFIL CIEGO:						
P41-D 41X82X2	2,0	14	500251	500253	500253	500253
P41-D 41X82X2,5	2,5	12	500252	500254	500254	500254



\*\*\* Opc. 25x11

## C-SVO

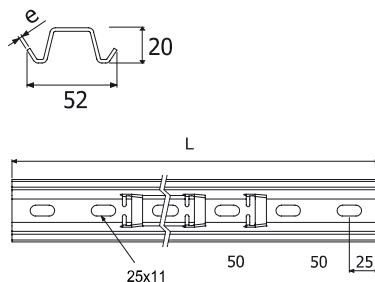


	e		L = 2,4 m (8 ft)		L = 3 m (10 ft)	
			GS	GC	GS	GC
	mm	G	REF	REF	REF	REF
C-SVO	1,5	16	500260	500273	500261	500274
C-SVO-2	2,0	14	500262	500275	500263	500276

### SOPORTES C-SVO CORTADOS A MEDIDA DE BANDEJA

L = B + 150 mm*	e		GS	GC
	mm	G	REF	REF
C-SVO 100	1,5	16	500264	500277
C-SVO 150	1,5	16	500265	500278
C-SVO 200	1,5	16	500266	500279
C-SVO 250	1,5	16	500267	500280
C-SVO 300	1,5	16	500268	500281
C-SVO 400	2	14	500269	500282
C-SVO 450	2	14	500270	500283
C-SVO 500	2	14	500271	500284
C-SVO 600	2	14	500272	500285

\* B = Ancho de bandeja




\* Las equivalencias mm-G son sólo orientativas y no representan un valor exacto.

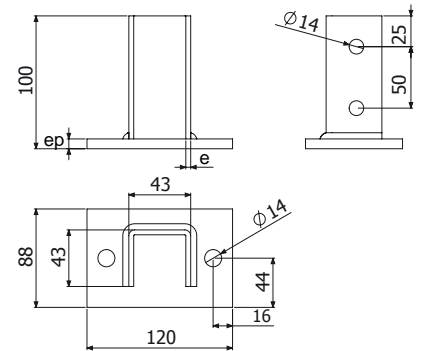
## K41



	e	ep	GC
	mm	mm	REF
K41	3	6	500192
K41 - ANTISISMO	4	8	500250

 2 x PERNO 3/8"x1-1/2" + 2 x TM41 3/8" + 2 x ARANDELA 3/8"

Opcional:  
2 x PERNO 1/2"x1-1/2" + 2 x TM41 1/2"



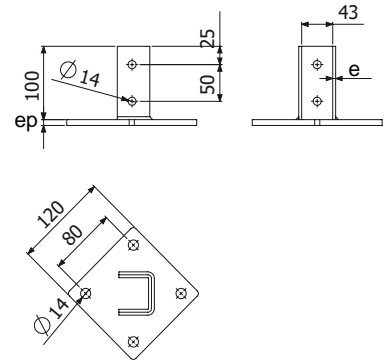
## K41ME



	e	ep	GC
	mm	mm	REF
K41ME	3	6	500125
K41ME - ANTISISMO	4	8	500248

 2 x PERNO 3/8"x1-1/2" + 2 x TM41 3/8" + 2 x ARANDELA 3/8"

Opcional:  
2 x PERNO 1/2"x1-1/2" + 2 x TM41 1/2"



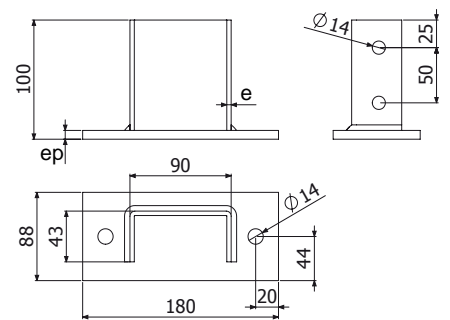
## K82



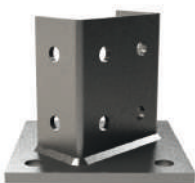
	e	ep	GC
	mm	mm	REF
K82	3	6	500193

 4 x PERNO 3/8"x1-1/2" + 4 x TM41 3/8" + 4 x ARANDELA 3/8"


Opcional:  
4 x PERNO 1/2"x1-1/2" + 4 x TM41 1/2"



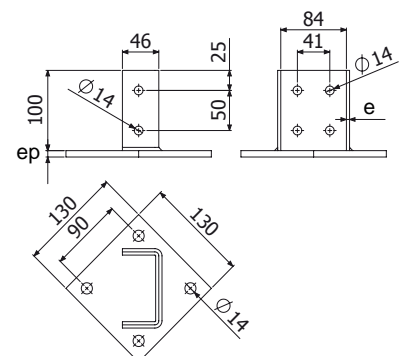
## K82ME



	e	ep	GC
	mm	mm	REF
K82ME	3	6	500126
K82ME - ANTISISMO	4	8	500249

 4 x PERNO 3/8"x1-1/2" + 4 x TM41 3/8" + 4 x ARANDELA 3/8"

Opcional:  
4 x PERNO 1/2"x1-1/2" + 4 x TM41 1/2"



## 4182C

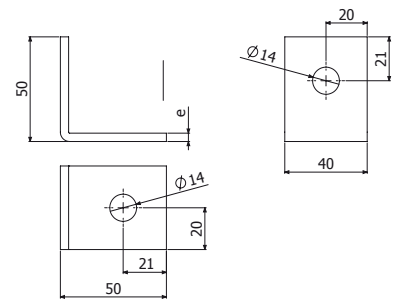


UNION 4182 GC

GC	
REF	
	500255



2 x PERNO 3/8"x 1-1/2" + 2 x TM41 3/8"



## 4182CD

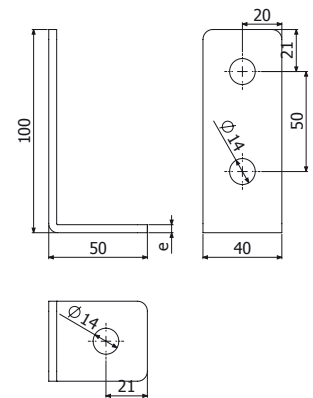


UNION 4182CD GC  
UNION 4182CD GC - 8MM

GC	
REF	
	500256
	500335



3 x PERNO 3/8"x 1-1/2" + 3 x TM41 3/8"

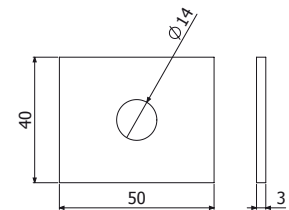


## 4182K



ARANDELA CUADRADA 4182K GC

GC	
REF	
	500257

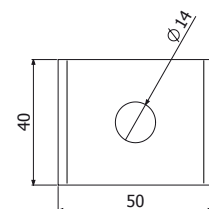


## 4182KB



MORDAZA 4182KB GC

GC	
REF	
	500258

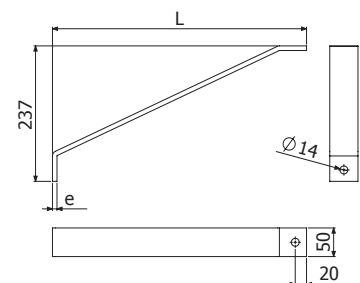


## R450

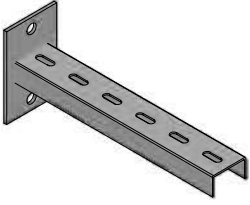


REFUERZO R450 GC

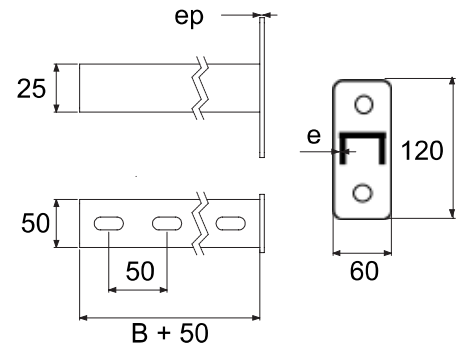
GC	
REF	
	500259



## SRU



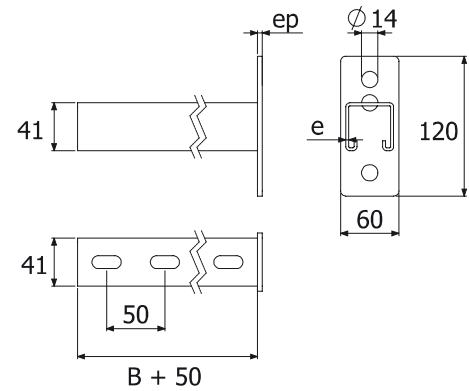
	e	ep	GC
	mm	mm	REF
SRU 100	2	6	500103
SRU 150	2	6	500104
SRU 200	2	6	500105
SRU 250	2	6	500106
SRU 300	2	6	500107
SRU 400	2	6	500108
SRU 450	2	6	500109
SRU 500	2	6	500091
SRU 600	2	6	500111
SRU 700	2	6	500112
SRU 750	2	6	500113



## SPP



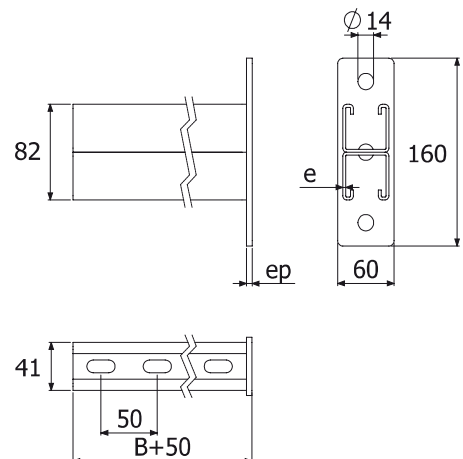
	e	ep	GC
	mm	mm	REF
SPP 100	2	6	500114
SPP 150	2	6	500115
SPP 200	2	6	500116
SPP 250	2	6	500117
SPP 300	2	6	500118
SPP 400	2	6	500119
SPP 450	2	6	500120
SPP 500	2	6	500121
SPP 600	2	6	500122
SPP 700	2	6	500123
SPP 750	2	6	500124



## SPPD

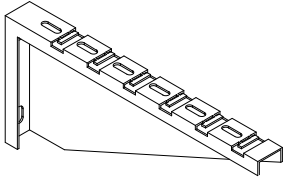


	e	ep	GC
	mm	mm	REF
SPPD 100	2	6	500286
SPPD 150	2	6	500287
SPPD 200	2	6	500288
SPPD 250	2	6	500289
SPPD 300	2	6	500290
SPPD 400	2	6	500291
SPPD 450	2	6	500292
SPPD 500	2	6	500293
SPPD 600	2	6	500294
SPPD 700	2	6	500295
SPPD 800	2	6	500296
SPPD 900	2	6	500297
SPPD 1000	2	6	500298

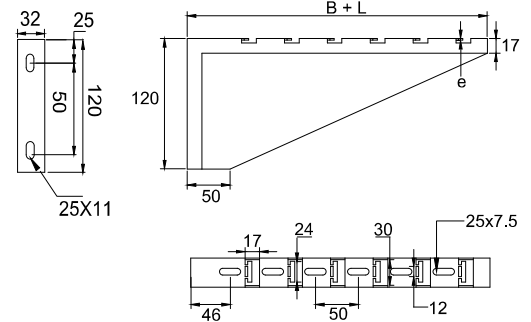




## SMP - MENSULA A PARED



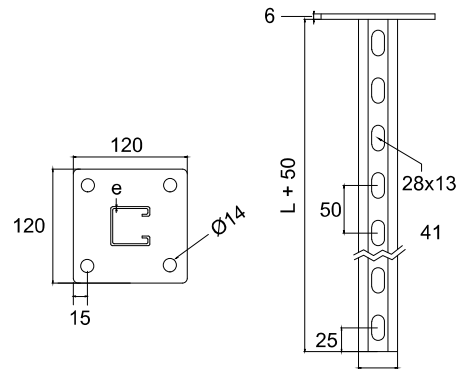
	SWL	e		GS	GC
	Kg	mm	G	REF	REF
SMP 100	164	1,5	16	500200	500209
SMP 150	133	1,5	16	500201	500210
SMP 200	102	1,5	16	500202	500211
SMP 250	87	1,5	16	500203	500212
SMP 300	90	2	14	500204	500213
SMP 400	82	2	14	500205	500214
SMP 450	77	2	14	500206	500215
SMP 500	73	2	14	500207	500216
SMP 600	65	2	14	500208	500217



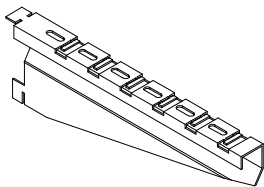
## SP3S - SOPORTE VERTICAL



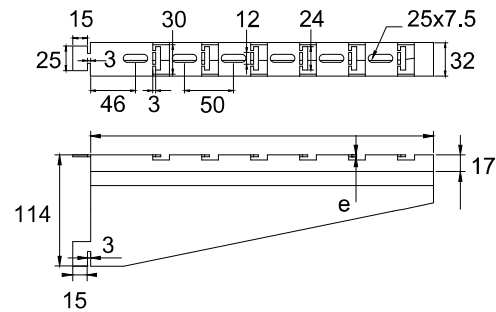
	e		GS	GC
	mm	G	REF	REF
SP3S 400	2	14	500180	500186
SP3S 500	2	14	500181	500187
SP3S 600	2	14	500182	500188
SP3S 800	2	14	500183	500189
SP3S 1000	2	14	500184	500190
SP3S 1200	2	14	500185	500191



## SMP P41 - MENSULA A PERFIL SP3S



	SWL	e		GS
	Kg	mm	G	REF
SMP P41 100	155	1,5	16	500218
SMP P41 150	147	1,5	16	500219
SMP P41 200	140	1,5	16	500220
SMP P41 250	126	1,5	16	500221
SMP P41 300	160	2	14	500222
SMP P41 400	146	2	14	500223
SMP P41 450	137	2	14	500224
SMP P41 500	128	2	14	500225
SMP P41 600	110	2	14	500226

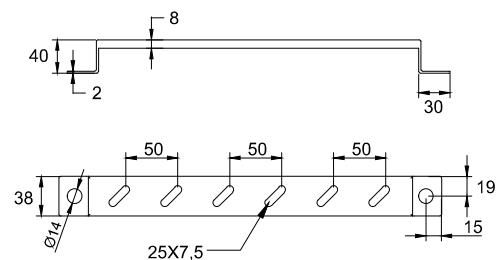


Se fija al soporte vertical SP3S sin necesidad de pernería.

## SV - SOPORTE A SUELO/ PARED



	e		GS	GC
	mm	G	REF	REF
SV 100	2	14	500169	500227
SV 150	2	14	500170	500228
SV 200	2	14	500171	500229
SV 250	2	14	500172	500230
SV 300	2	14	500173	500231
SV 400	2	14	500236	500232
SV 450	2	14	500237	500233
SV 500	2	14	500238	500034
SV 600	2	14	500239	500035



## PERNO CABEZA COCHE



	EZ	GC	i304
	REF	REF	REF
PERNO 1/4" x 3/4"	500001	500002	500003
PERNO 3/8" x 3/4"	500078	500079	500080

## PERNO BUTTON



	i304
	REF
PERNO BUTTON 1/4"x 1"	500076
PERNO BUTTON 1/4" x 1-1/2"	500077

## ARANDELA PLANA



	EZ	GC	i304
	REF	REF	REF
ARANDELA PLANA 1/4"	500040	500043	500046
ARANDELA PLANA 3/8"	500041	500044	500047
ARANDELA PLANA 1/2"	500042	500045	500048

## ARANDELA PARTIDA



	EZ	GC	i304
	REF	REF	REF
ARANDELA PLANA 1/4"	500067	500068	500069
ARANDELA PLANA 3/8"	500070	500071	500072
ARANDELA PLANA 1/2"	500073	500074	500075

## TUERCA HEXAGONAL



	EZ	GC	i304
	REF	REF	REF
TUERCA HEXAGONAL 1/4"	500031	500034	500037
TUERCA HEXAGONAL 3/8"	500032	500035	500038
TUERCA HEXAGONAL 1/2"	500033	500036	500039

## TM41



	EZ	GC	i304
	REF	REF	REF
TUERCA RESORTE TM41 1/4"	500049	500052	--
TUERCA RESORTE TM41 3/8"	500050	500053	--
TUERCA RESORTE TM41 1/2"	500051	500054	--



## VARILLA ROSCADA



<b>L = 3000 mm</b>	EZ	GC	i304
	REF	REF	REF
VARILLA ROSCADA VR 1/4" x 3000	500055	500058	500061
VARILLA ROSCADA VR 3/8" x 3000	500056	500059	500062
VARILLA ROSCADA VR 1/2" x 3000	500057	500060	500063

<b>L = 1800 mm</b>	EZ	GC	i304
	REF	REF	REF
VARILLA ROSCADA VR 1/4" x 1800	500174	--	--
VARILLA ROSCADA VR 3/8" x 1800	500175	500177	--
VARILLA ROSCADA VR 1/2" x 1800	500176	--	--

## NIPLE UNIÓN



	EZ	GC
	REF	REF
NIPLE UNION 3/8"	500244	500246
NIPLE UNION 1/2"	500245	500247

## PERNO HEXAGONAL



<b>L = 3/4"</b>	EZ	GC	i304
	REF	REF	REF
PERNO HEXAGONAL 1/4" x 3/4"	500004	500013	500022
PERNO HEXAGONAL 3/8" x 3/4"	500007	500016	500025
PERNO HEXAGONAL 1/2" x 3/4"	500010	500019	500028

<b>L = 1"</b>	EZ	GC	i304
	REF	REF	REF
PERNO HEXAGONAL 1/4" x 1"	500005	500014	500023
PERNO HEXAGONAL 3/8" x 1"	500008	500017	500026
PERNO HEXAGONAL 1/2" x 1"	500011	500020	500029

<b>L = 1-1/2"</b>	EZ	GC	i304
	REF	REF	REF
PERNO HEXAGONAL 1/4" x 1-1/2"	500006	500015	500024
PERNO HEXAGONAL 3/8" x 1-1/2"	500009	500018	500027
PERNO HEXAGONAL 1/2" x 1-1/2"	500012	500021	500030

## BORNA TOMA TIERRA



	LATON
	REF
TT 4-35 mm2	206796
TT 35-95 mm2	206797
TTL 10-35 mm2	208189

## TACO EXPANSIÓN



	EZ
	REF
TACO EXPANSION 1/4"	500064
TACO EXPANSION 3/8"	500065
TACO EXPANSION 1/2"	500066

## BRIDA FIJACIÓN ESCALERA



	MAT.	REF
	BFE 12 GC	GC
BFE 10 AL	AL	205411

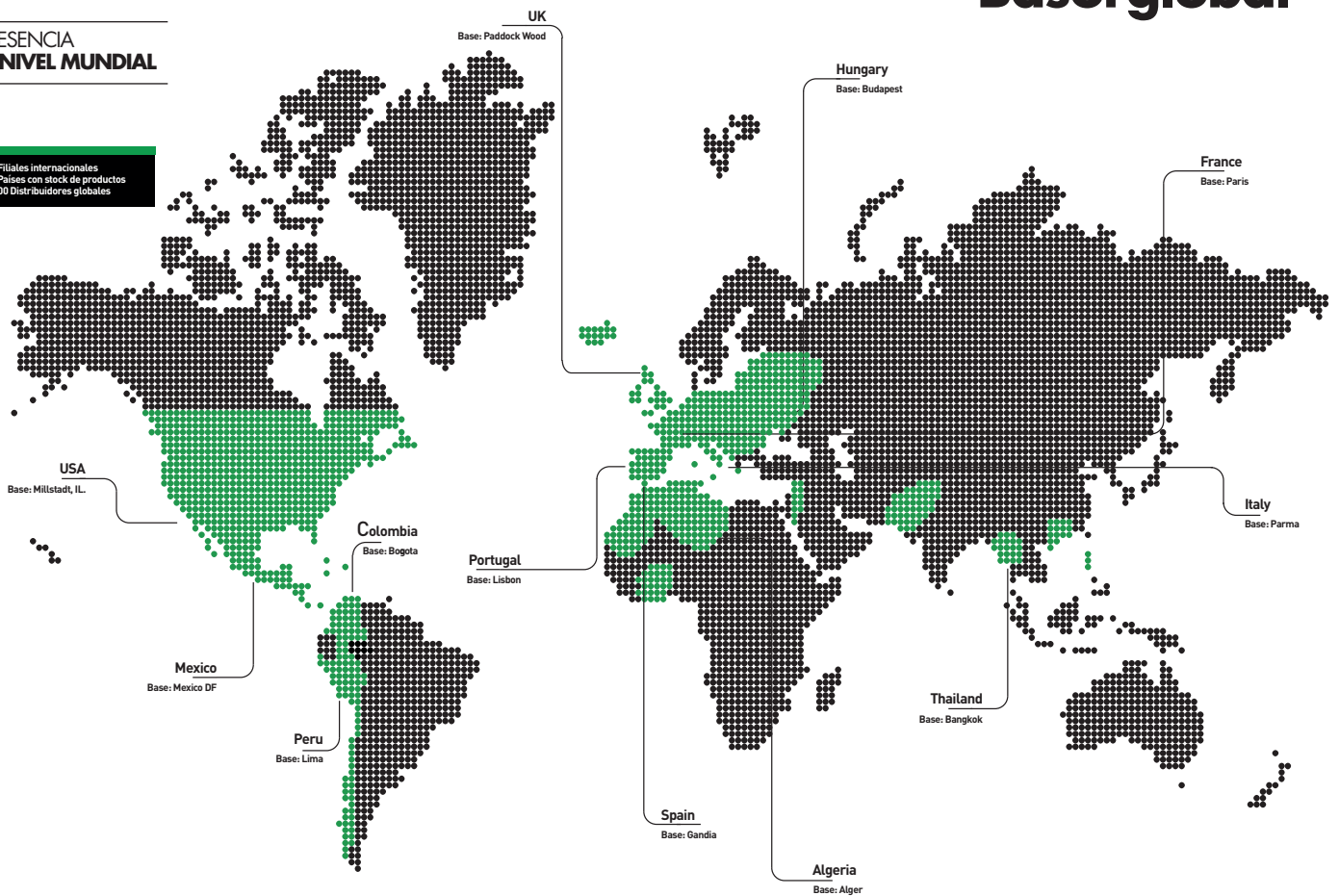
## MP PROTECCIÓN METAL



	EZ
	REF
SPRX312 R	500142

## PRESENCIA A NIVEL MUNDIAL

- 10 Filiales internacionales
- 50 Países con stock de productos
- 1.200 Distribuidores globales



**BEBasor**  
CABLE TRAY SPECIALIST

**50**  
1968-2018  
YEARS/AÑOS

*Planta de fabricación:*

**BASOR PERU S.A.C.**  
Venancio Ávila, 1988  
Cercado de Lima  
Lima 15083  
Perú



LinkedIn  
Basor Electric S.A.



Twitter  
@Basorelectric



Youtube  
youtube.com/user/  
basorelectric



Web  
www.basor.com